

Connecting a Sema 5 Wire Float Level Probe to a John Brooks or Delaval Controller

Connecting to a BMP/RMP (Old Taian N2 Controller)

Wire Colour	Terminal Number
Yellow	5
Grey	6
Green	7
Brown	8
White	9
Large Clear (or Green/Yellow) wire with Black Ferrule (This is the screen)	Either SCN Terminal

Connecting to a Dairy-Flo/ Delaval RMP100

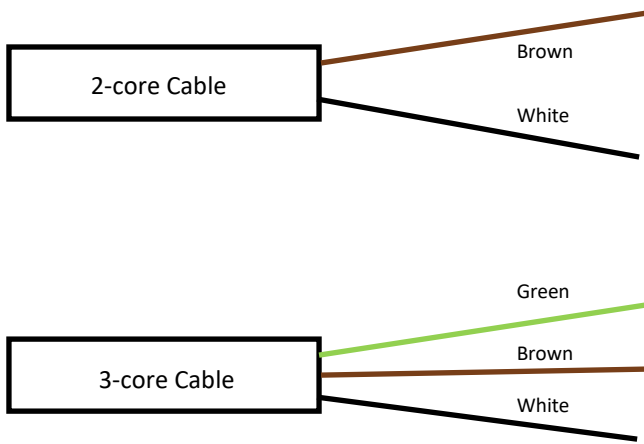
Wire Colour	Terminal Number
Yellow	1
Grey	2
Green	5
Brown	6
White	7
Large Clear (or Green/Yellow) wire with Black Ferrule (This is the screen)	Either Earth Terminal

Connecting to a John Brooks JBDA48

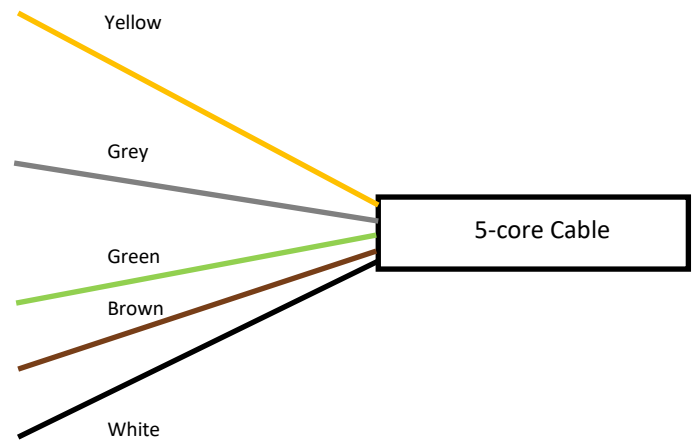
Wire Colour	Terminal Number
Yellow	16
Grey	2
Green	9
Brown	21
White	22
Large Clear (or Green/Yellow) wire with Black Ferrule (This is the screen)	Either 12 or 18

The older John Brooks/Delaval Float level probes have two cables

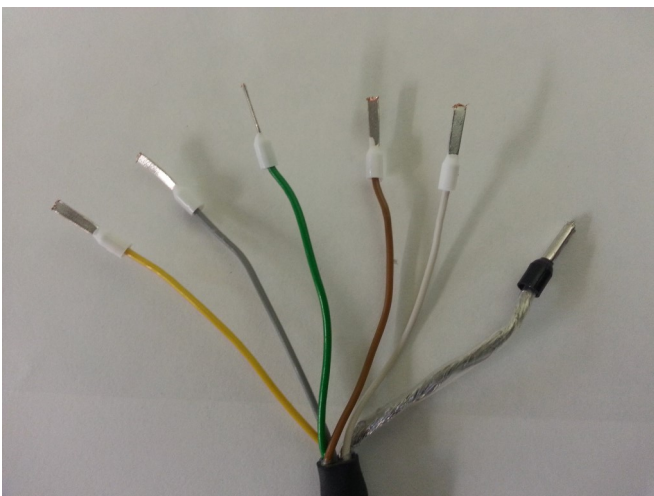
John Brooks/Delaval Float Cables (For simplicity the screens are not shown.)



The Sema 5-wire float level probe cable



The diagram above shows the equivalent wire colours in the Sema Float cable



Sema 5 wire float level probe wires

Yellow Grey Green Brown White

